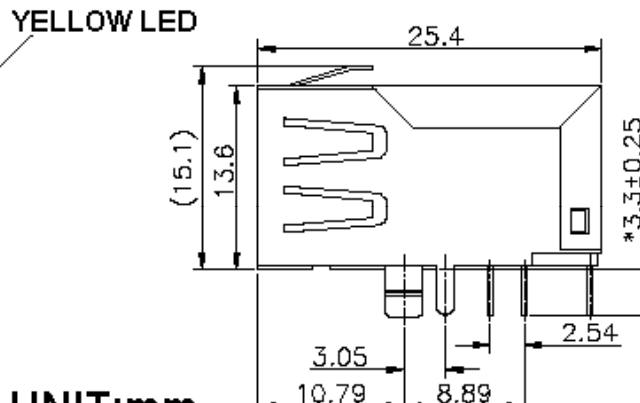
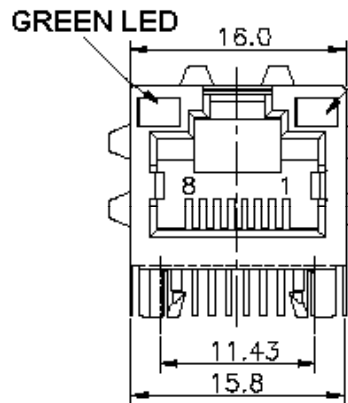


SPECIFICATIONS

Turn Ratio: Transmit=1CT:1, Receive=1CT:1
 Insertion Loss: -1.0dB (1-65MHz)
 Return Loss: -20dB (1-10MHz), -16dB (10-30MHz), -12dB (30-60MHz), -10dB (60-80MHz)
 Cross Talk: -40dB (1-30MHz), -35dB (30-60MHz), -30dB (60-100MHz)
 Common Mode Rejection: -30dB (1-50MHz), -20dB (50-150MHz)
 HI-Pot Test: 1500 Vrms/0.5mA/1min
 OCL: 350uH MIN @100KHZ/0.1V/8mA DC
 Operating Temp: 0°C ~ +70°C



UNIT:mm

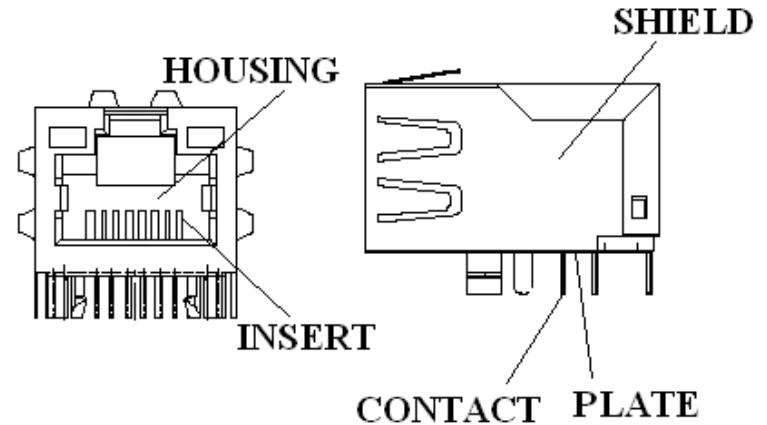
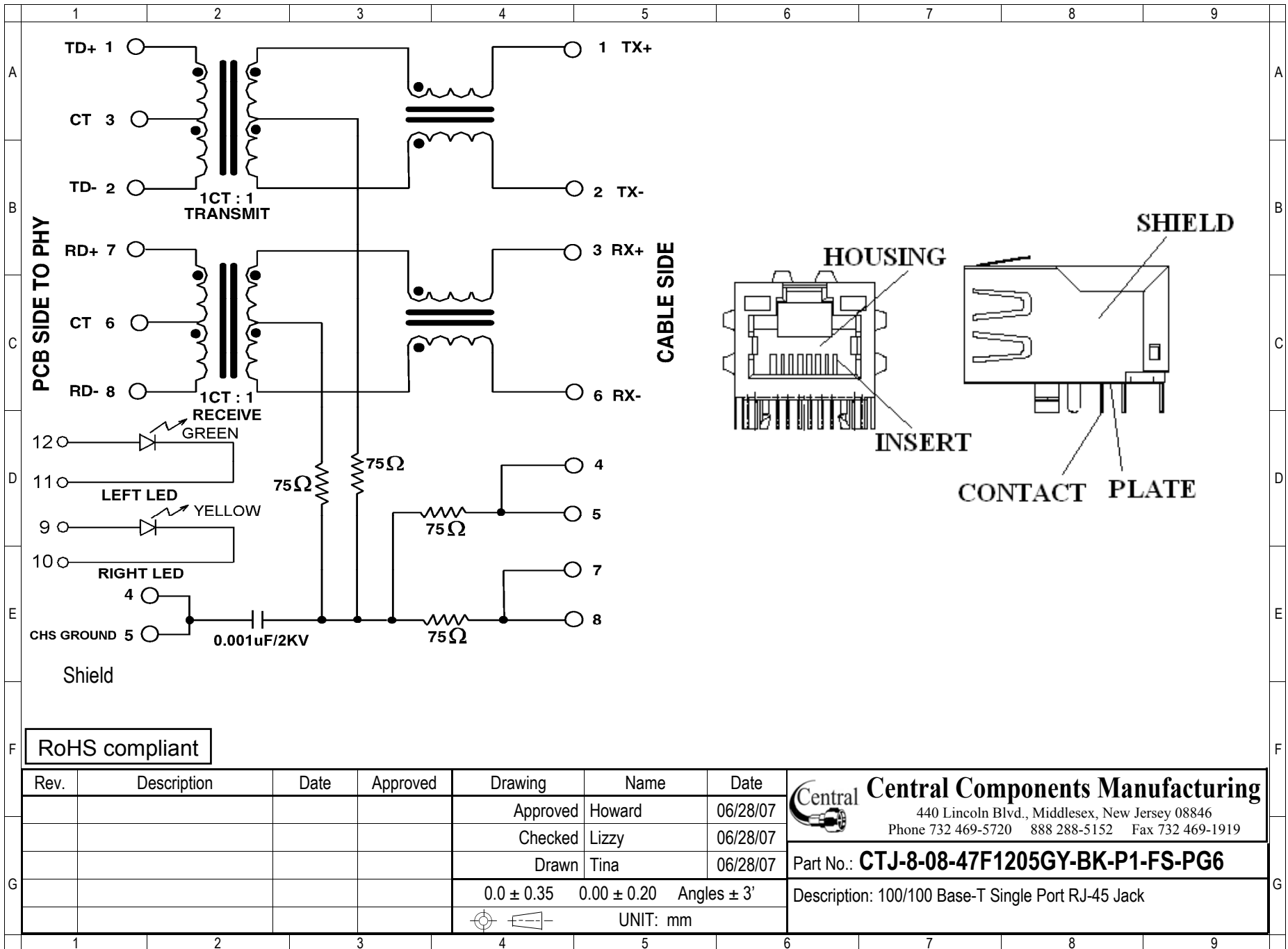
RoHS compliant

Rev.	Description	Date	Approved	Drawing	Name	Date
				Approved	Howard	06/28/07
				Checked	Lizzy	06/28/07
				Drawn	Tina	06/28/07
				0.0 ± 0.35	0.00 ± 0.20	Angles ± 3'
				UNIT: mm		

Central Components Manufacturing
 440 Lincoln Blvd., Middlesex, New Jersey 08846
 Phone 732 469-5720 888 288-5152 Fax 732 469-1919

Part No.: **CTJ-8-08-47F1205GY-BK-P1-FS-PG6**

Description: 100/100 Base-T Single Port RJ-45 Jack



Rev.	Description	Date	Approved	Drawing	Name	Date
				Approved	Howard	06/28/07
				Checked	Lizzy	06/28/07
				Drawn	Tina	06/28/07
				0.0 ± 0.35	0.00 ± 0.20	Angles ± 3'
					UNIT: mm	

Central Components Manufacturing
440 Lincoln Blvd., Middlesex, New Jersey 08846
Phone 732 469-5720 888 288-5152 Fax 732 469-1919

Part No.: **CTJ-8-08-47F1205GY-BK-P1-FS-PG6**

Description: 100/100 Base-T Single Port RJ-45 Jack