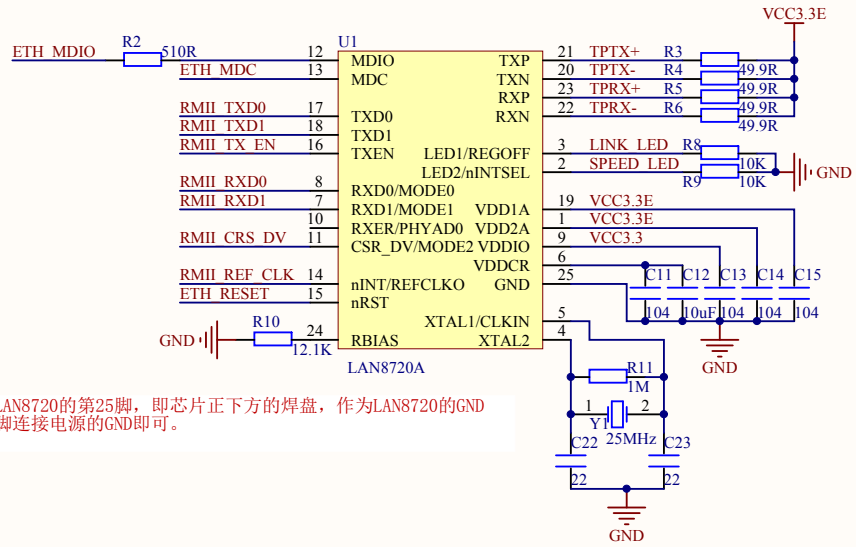
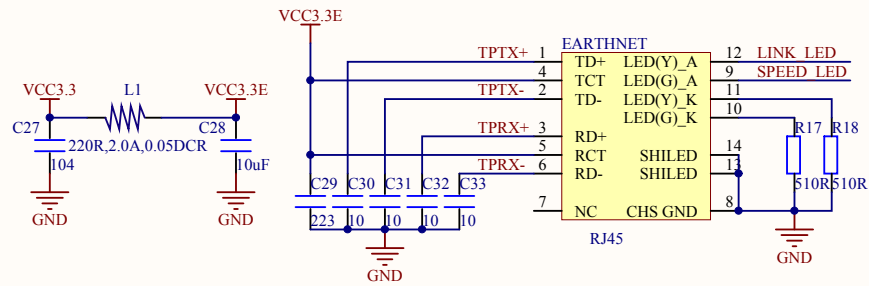


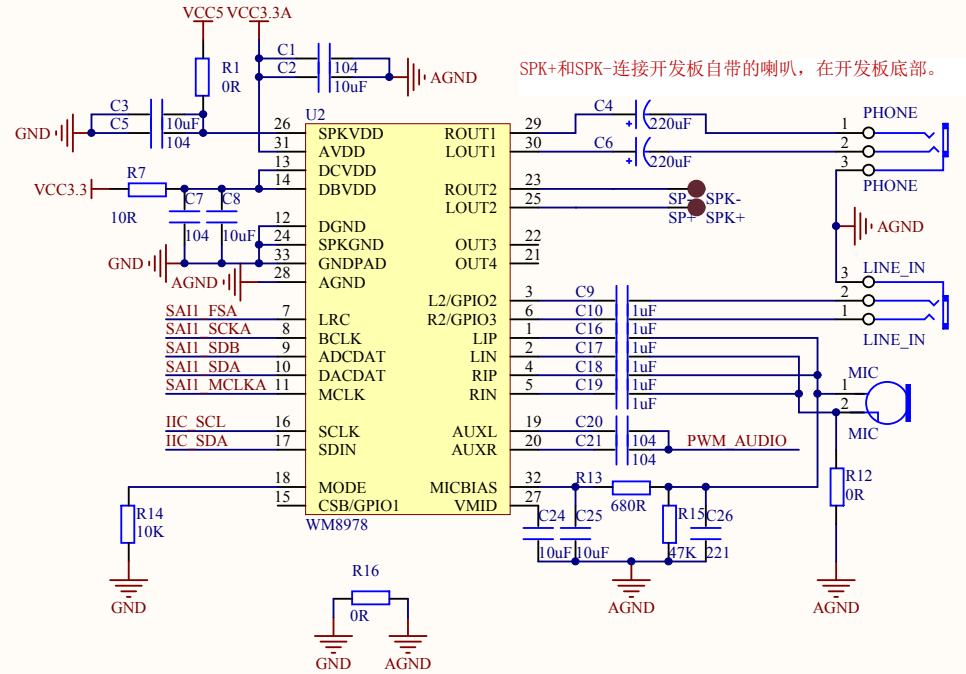
EARTHNET



LAN8720的第25脚，即芯片正下方的焊盘，作为LAN8720的GND脚连接电源的GND即可。

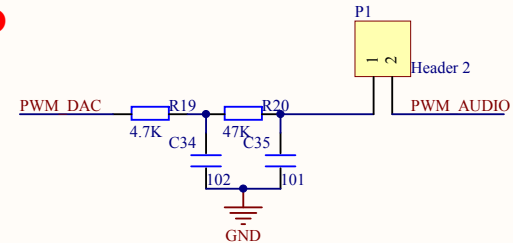


I2S DAC&ADC



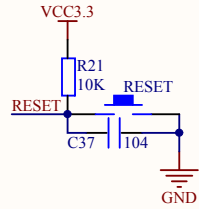
SPK+和SPK-连接开发板自带的喇叭，在开发板底部。

PWM DAC/AUDIO

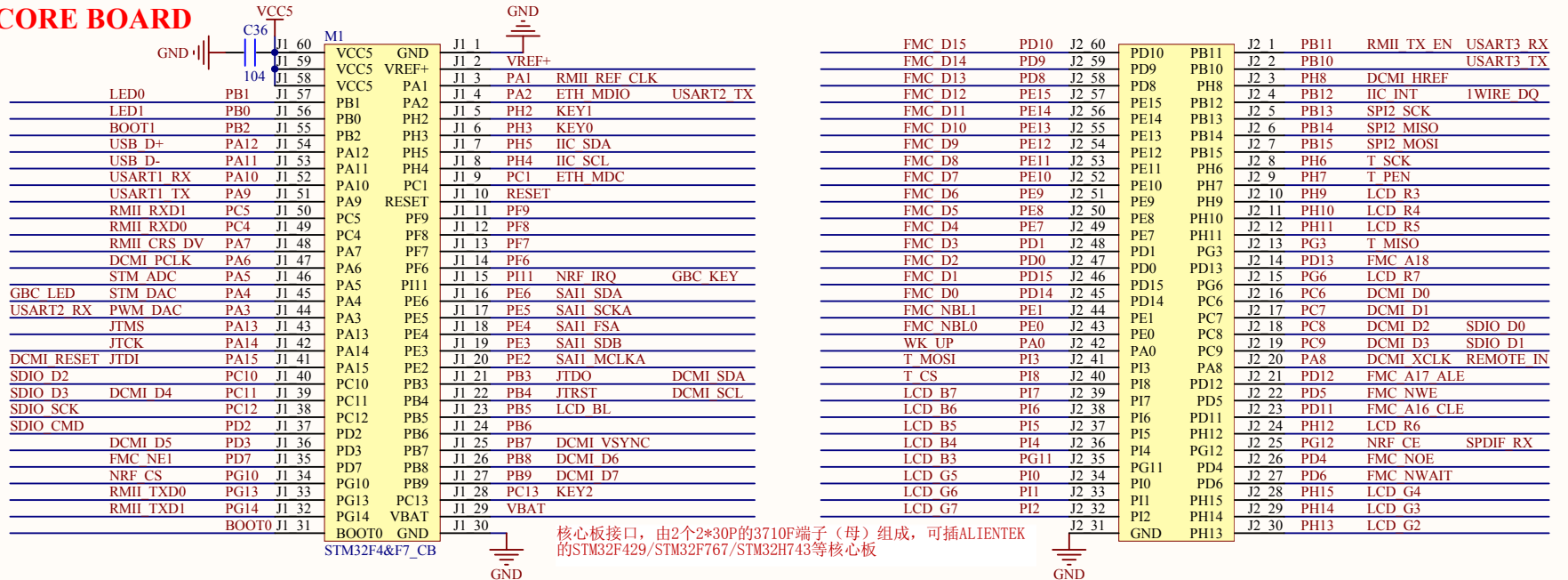


Title: APOLLO AUDIOÐNET		ALIENTEK
Author: ALIENTEK	Size: SheetSize	
Date: 2018-06-14	File: AUDIOÐNET.SchDoc	
Revision: V1.7	Version: Version	

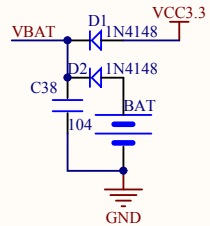
RESET



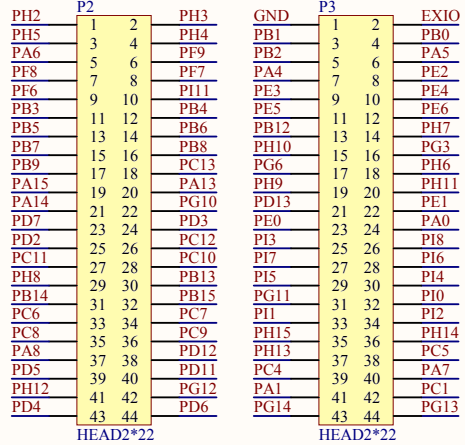
CORE BOARD



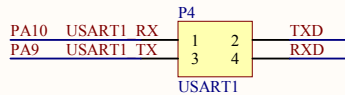
VBAT



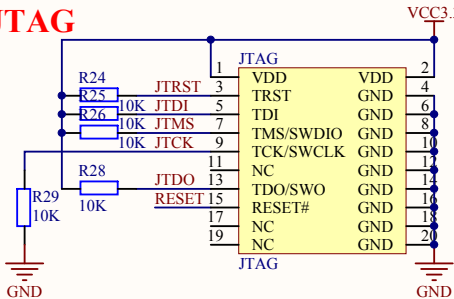
IO



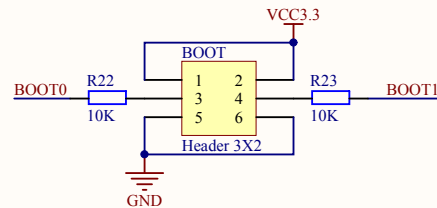
USB_UART/USART1



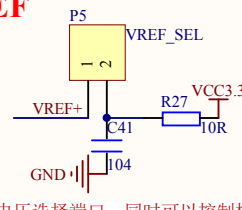
JTAG



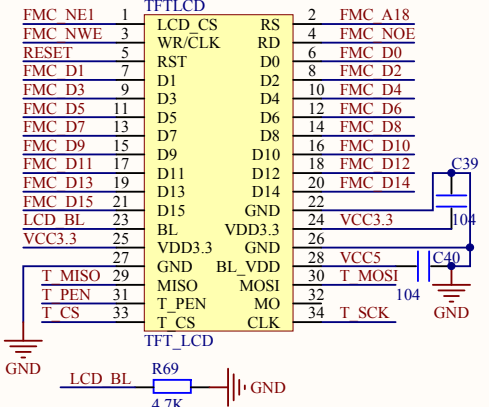
BOOT



VREF



LCD(MCU)

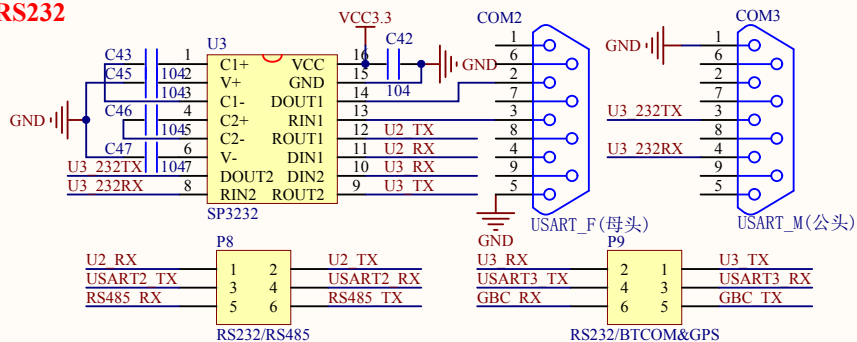


Title:
APOLLO CORE
Author:
ALIENTEK
Date:
2018-06-14
Revision:
V1.7

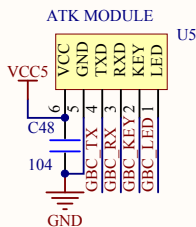
Size:
SheetSize
File:
CORE_SchDoc
Version:
Version

ALIENTEK

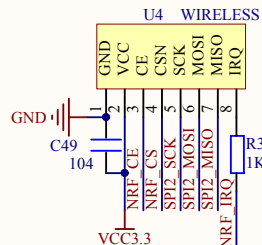
RS232



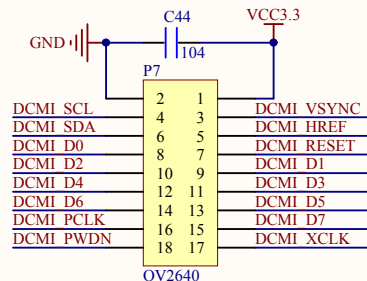
ATK MODULE



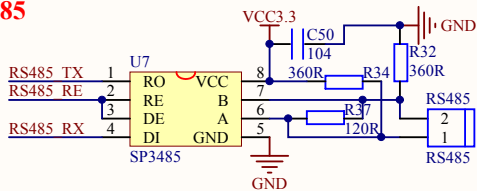
WIRELESS



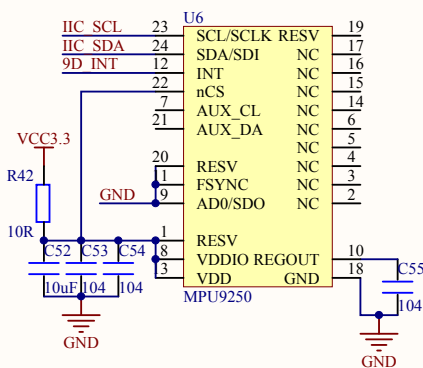
OLED&CAMERA



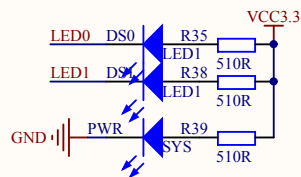
RS485



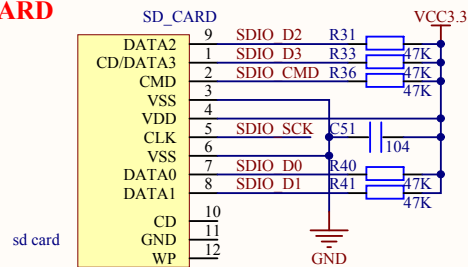
9 AXIS SENSOR



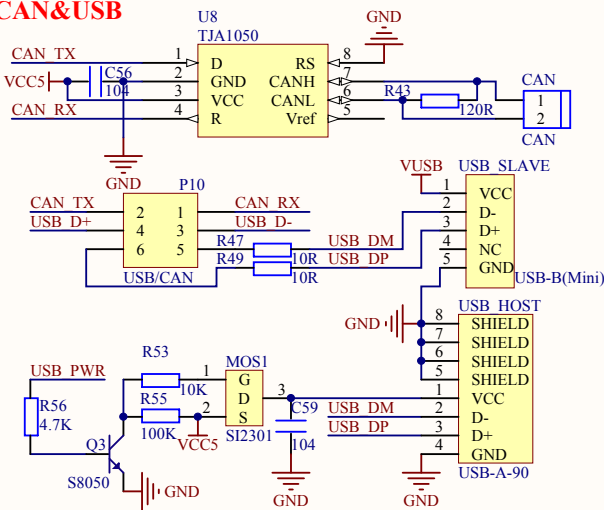
LED



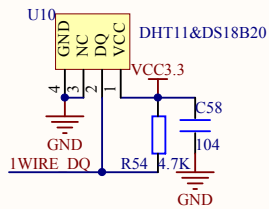
SD CARD



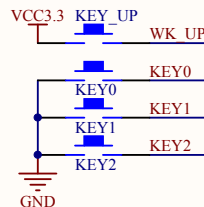
CAN&USB



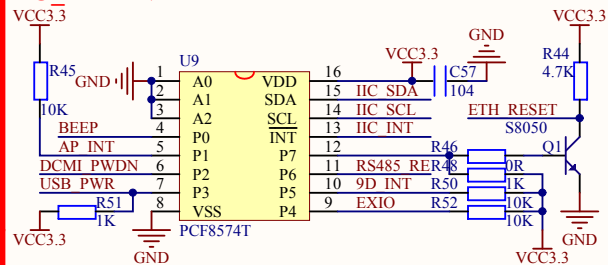
TEMP&HUMI SENSOR



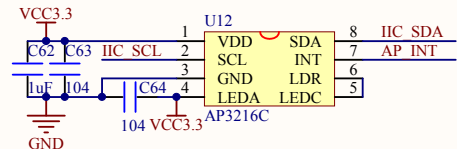
KEY



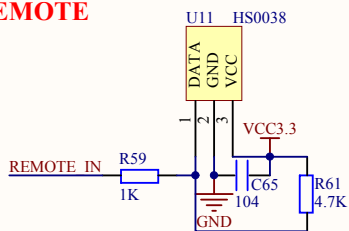
IO_EXPANDER



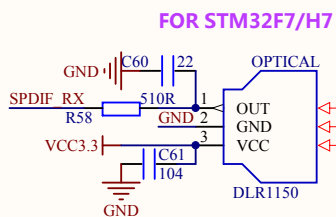
ALS&PS SENSOR



REMOTE



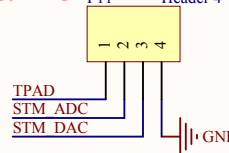
OPTICAL IN



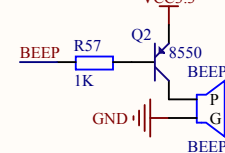
TOUCH_KEY



ADC&DAC



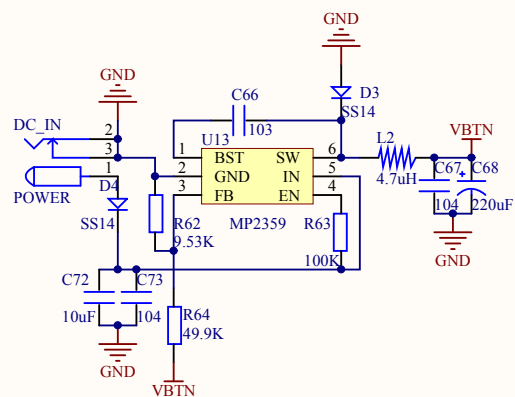
BEEP



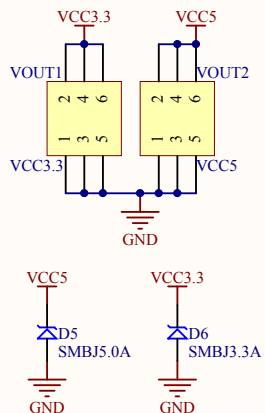
Title:	APOLLO DEVICE	Size:	
Author:	ALIENTEK	SheetSize	
Date:	2018-06-14	File:	DEVICE.SchDoc
Revision:	V1.7	Version:	

ALIENTEK

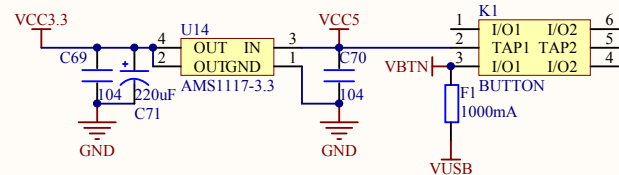
DC POWER IN



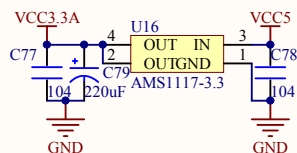
ON BOARD POWER SOURCE



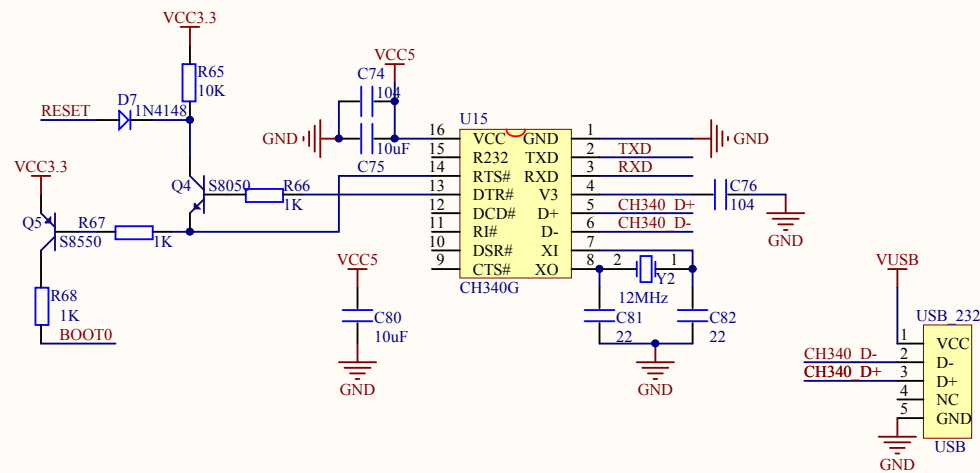
3.3V & POWER SWITCH



WM8978 ANALOG POWER



USB USART&USB POWER

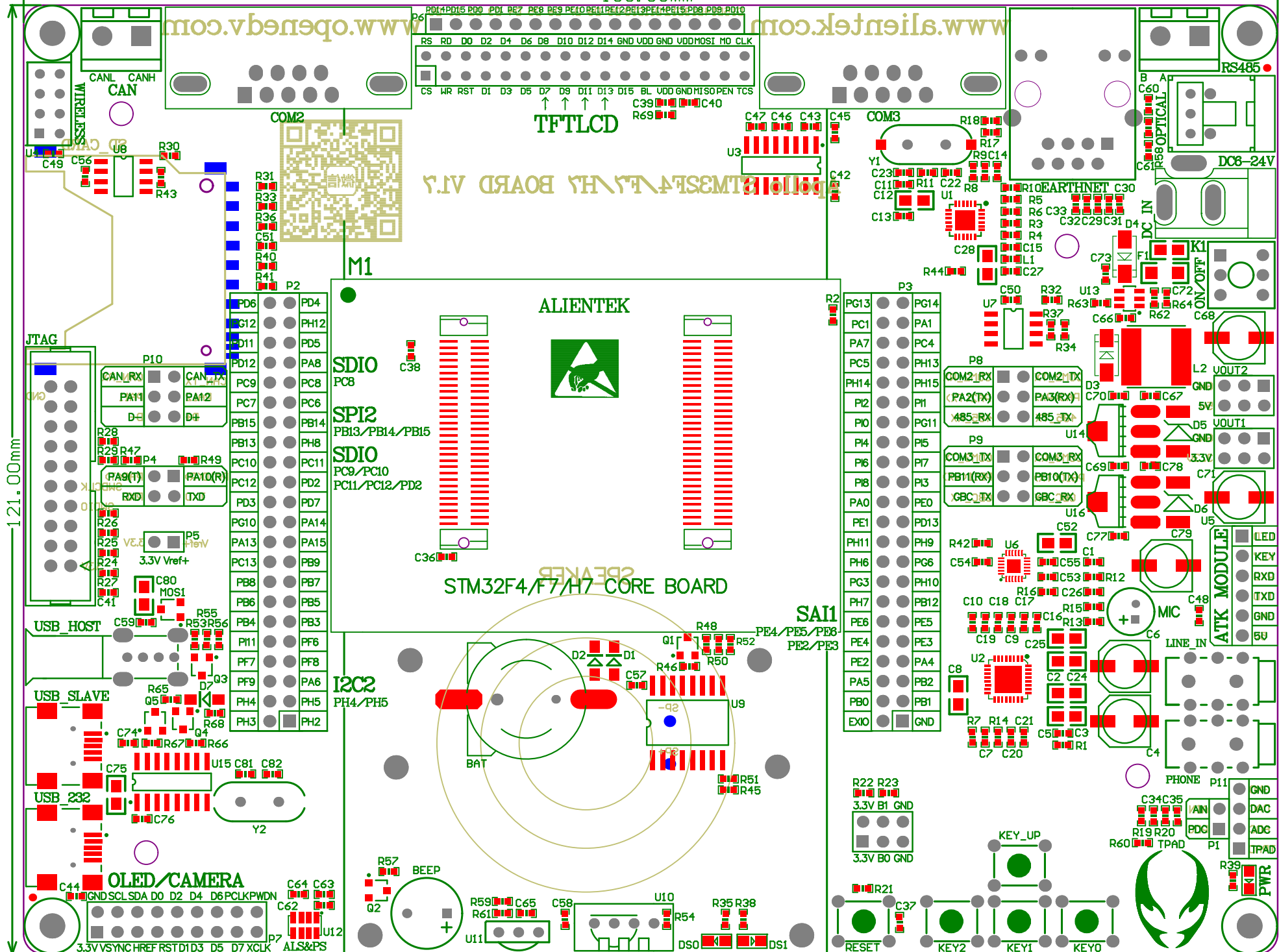


Title: APOLLO POWER&USB USART	
Author: ALIENTEK	Size: SheetSize
Date: 2018-06-14	File: POWER&USB USART.SchDoc
Revision: V1.7	Version: Version



160.00mm

121.00mm



www.alientek.com

polibitstm32f4-f7-h7-board-v1.7

ALIENTEK



STM32F4/F7/H7 CORE BOARD

SAI1

I2C2

OLED/CAMERA

TFTLCD

M1

JTAG

USB_HOST

USB_SLAVE

USB_232

ATK MODULE

