



DM54366/DM74366 Hex Inverting TRI-STATE® Buffers

General Description

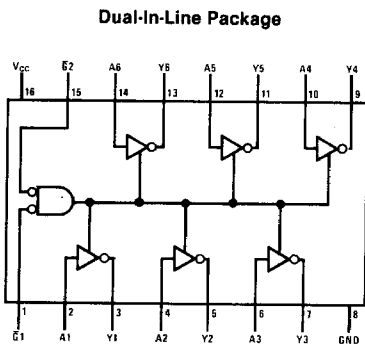
This device contains six independent gates each of which performs an inverting buffer function. The outputs have the TRI-STATE feature. When enabled, the outputs exhibit the low impedance characteristics of a standard TTL output with additional drive capability to permit the driving of the bus lines without external resistors. When disabled, both the output transistors are turned off presenting a high-impedance state to the bus line. Thus the output will act neither as a significant load nor as a driver. To minimize the possibility that two outputs will attempt to take a common bus to opposite logic levels, the disable time is shorter than the enable time of the outputs.

Absolute Maximum Ratings (Note 1)

Supply Voltage	7V
Input Voltage	5.5V
Storage Temperature Range	- 65°C to 150°C

Note 1: The "Absolute Maximum Ratings" are those values beyond which the safety of the device can not be guaranteed. The device should not be operated at these limits. The parametric values defined in the "Electrical Characteristics" table are not guaranteed at the absolute maximum ratings. The "Recommended Operating Conditions" table will define the conditions for actual device operation.

Connection Diagram



TL/F/6571-1

DM54366 (J) DM74366 (N)

Function Table

$$Y = \bar{A}$$

Input			Output
$\bar{G}1$	$\bar{G}2$	A	Y
L	L	L	H
L	L	H	L
H	X	X	Hi-Z
X	H	X	Hi-Z

H = High Logic Level

L = Low Logic Level

X = Either Low or High Logic Level

Hi-Z = TRI-STATE (Outputs are disabled)

Recommended Operating Conditions

Symbol	Parameter	DM54366			DM74366			Units
		Min	Nom	Max	Min	Nom	Max	
V _{CC}	Supply Voltage	4.5	5	5.5	4.75	5	5.25	V
V _{IH}	High Level Input Voltage	2			2			V
V _{IL}	Low Level Input Voltage			0.8			0.8	V
I _{OH}	High Level Output Current			- 2			- 5.2	mA
I _{OL}	Low Level Output Current			32			32	mA
T _A	Free Air Operating Temperature	- 55		125	0		70	°C

Electrical Characteristics

 over recommended operating free air temperature (unless otherwise noted)

Symbol	Parameter	Conditions	Min	Typ (Note 1)	Max	Units	
V _I	Input Clamp Voltage	V _{CC} = Min, I _I = - 12 mA			- 1.5	V	
V _{OH}	High Level Output Voltage	V _{CC} = Min, I _{OH} = Max V _{IL} = Max, V _{IH} = Min	2.4	3.1		V	
V _{OL}	Low Level Output Voltage	V _{CC} = Min, I _{OL} = Max V _{IH} = Min, V _{IL} = Max		0.2	0.4	V	
I _I	Input Current @ Max Input Voltage	V _{CC} = Max, V _I = 5.5V			1.0	mA	
I _{IH}	High Level Input Current	V _{CC} = Max, V _I = 2.4V			40	μA	
I _{IL}	Low Level Input Current	V _{CC} = Max V _I = 0.5V (Note 4)	A			- 40	mA
		V _{CC} = Max V _I = 0.4V (Note 5)	A			- 1.6	
		V _{CC} = Max V _I = 0.4V	\bar{G}			- 1.6	
I _{OZH}	Off-State Output Current with High Level Output Voltage Applied	V _{CC} = Max, V _O = 2.4V V _{IH} = Min, V _{IL} = Max			40	μA	
I _{OZL}	Off-State Output Current with Low Level Output Voltage Applied	V _{CC} = Max, V _O = 0.4V V _{IH} = Min, V _{IL} = Max			- 40	μA	
I _{OS}	Short Circuit Output Current	V _{CC} = Max (Note 2)	DM54	- 40		- 115	mA
			DM74	- 40		- 115	
I _{CC}	Supply Current	V _{CC} = Max (Note 3)			59	77	mA

Note 1: All typicals are at V_{CC} = 5V, T_A = 25°C.

Note 2: Not more than one output should be shorted at a time.

Note 3: I_{CC} is measured with the data inputs grounded and the output controls at 4.5V.

Note 4: Both \bar{G} inputs are at 2V.

Note 5: Both \bar{G} inputs are at 0.4V.

Switching Characteristics at $V_{CC} = 5V$ and $T_A = 25^\circ C$ (See Section 1 for Test Waveforms and Output Load)

Parameter	$R_L = 400\Omega$						Units
	$C_L = 5\text{ pF}$			$C_L = 50\text{ pF}$			
	Min	Typ	Max	Min	Typ	Max	
t_{PLH} Propagation Delay Time Low to High Level Output					11	17	ns
t_{PHL} Propagation Delay Time High to Low Level Output					10	16	ns
t_{PZH} Output Enable Time to High Level Output					21	35	ns
t_{PZL} Output Enable Time to Low Level Output					24	37	ns
t_{PHZ} Output Disable Time from High Level Output		6	11				ns
t_{PLZ} Output Disable Time from Low Level Output		16	27				ns