

White Ultrabright 8mm Round LED Technical Data



Features

- ▶ Large Visible LED
- ▶ Standard 8mm Size
- ▶ Ultrabright Type
- ▶ RoHS Compliant

Technical Data

Absolute Maximum Ratings

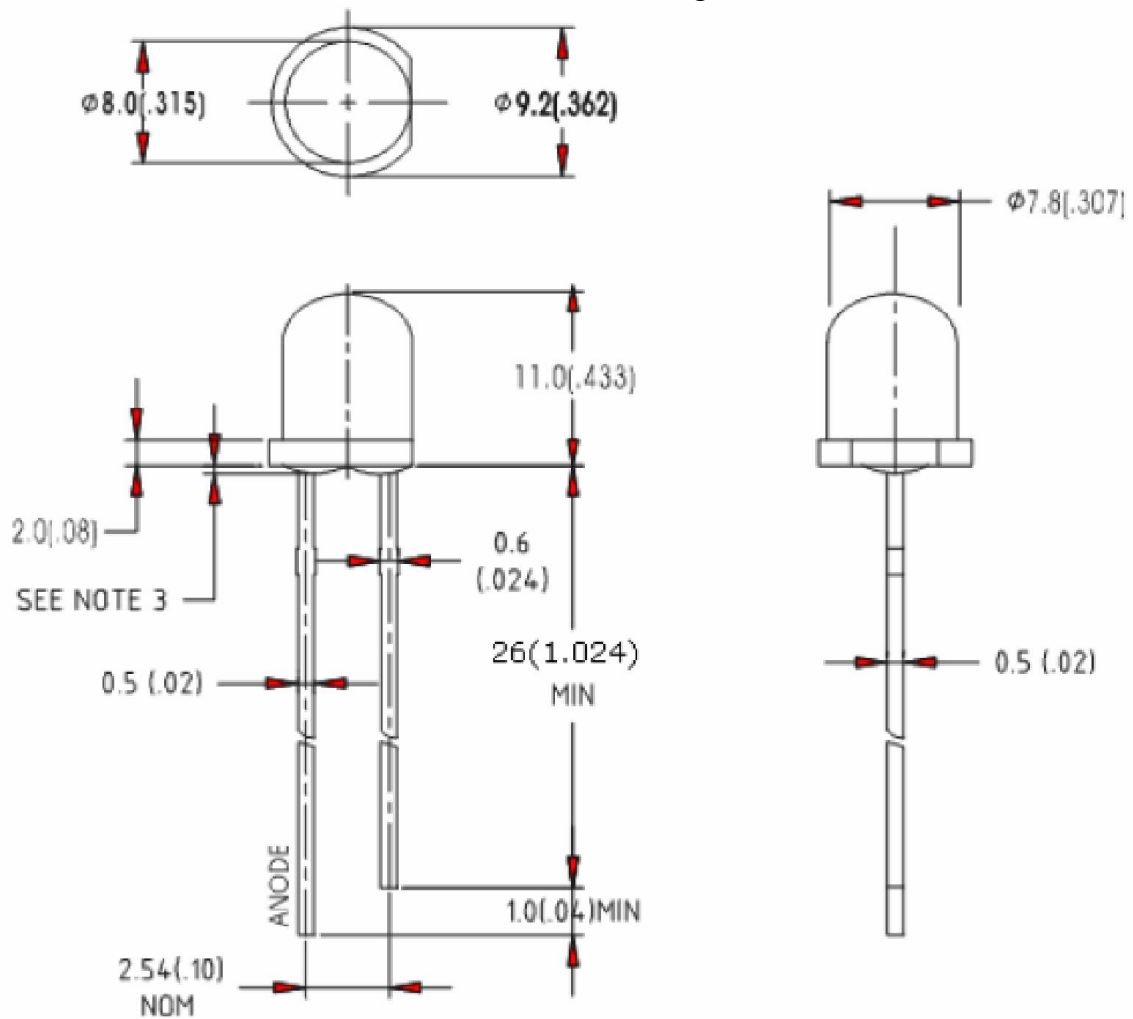
Operating Free Air Temperature:	0°C to +70°C
Storage Temperature Range:	-65°C to +150°C

Pin Description

Pin Number Description

- 1 Cathode
- 2 Anode

Dimensional Drawing



All Dimensions are in mm

Electrical Characteristics

Symbol	Parameter	Conditions	Min	Typ	Max	Units
Vf	Forward Voltage	Vcc=Min, Ii=-20mA	2.8	3.3	3.8	V
Vr	Reverse Voltage	Vcc=Min, Ioh=MAX, Vil=MAX			5.0	V
Ir	Reverse Current	Vr=5V			10	μA
If	Max DC Forward Current	Vcc=Min, Iol=MAX, Vih=MAX			25	mA
Ipeak	Peak DC Forward Current	Vcc=Min, Iol=MAX, Vih=MAX			100	mA
Pd	Max Power Dissipation	Vcc=Max, Vi=5.5V			100	mW
	Typical Viewing Angle			30		Deg
	Typical Luminous Intensity		8,500	13,500		MCD
	Chromaticity Coordinates - x	Vcc=Min, Ii=-20mA		0.28		
	Chromaticity Coordinates - y	Vcc=Min, Ii=-20mA		0.28		