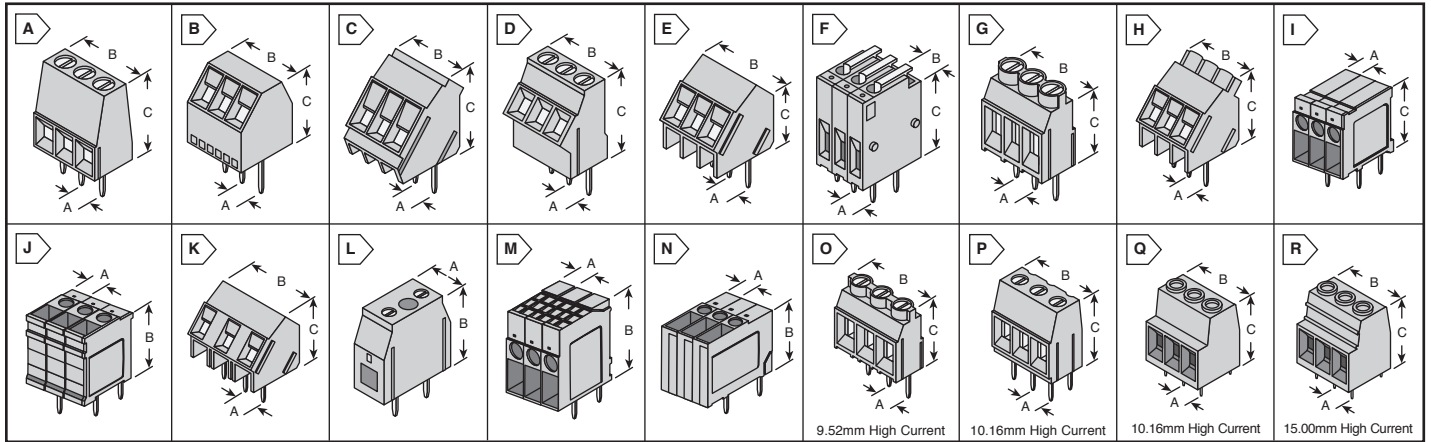


PHOENIX CONTACT Terminal Blocks



ONE PIECE DESIGN WITH SCREW CLAMP TERMINATION

Single Level, Through-Hole Solder Mounting

For quantities greater than listed, call for quote.

* RoHS compliant per Phoenix documentation



RoHS Compliant

MOUSER STOCK NO.	Fig.	Phoenix Type	Pos.	Dimensions: mm			Price Each		
				A	B	C	1	10	50
5.08mm PCB Reduced Height Terminal Blocks - 90° Wire-to-Pin Orientation									
UL: 300V @ 10A, 30-14AWG, Green Color									
651-1729128	A	MKDSN 1.5/2-5.08	2	5.08	10.16	10	.81	.741	.637
651-1729131	A	MKDSN 1.5/3-5.08	3	5.08	15.24	10	1.21	1.12	.944
651-1729144	A	MKDSN 1.5/4-5.08	4	5.08	20.32	10	1.60	1.49	1.26
651-1729157	A	MKDSN 1.5/5-5.08	5	5.08	25.4	10	2.01	1.86	1.58
651-1729160	A	MKDSN 1.5/6-5.08	6	5.08	30.48	10	2.35	2.20	1.87
651-1729173	A	MKDSN 1.5/7-5.08	7	5.08	35.56	10	2.74	2.55	2.18
651-1729186	A	MKDSN 1.5/8-5.08	8	5.08	40.64	10	3.13	2.92	2.49
651-1729199	A	MKDSN 1.5/9-5.08	9	5.08	45.72	10	3.52	3.29	2.81
651-1729209	A	MKDSN 1.5/10-5.08	10	5.08	50.8	10	3.90	3.65	3.11
651-1729212	A	MKDSN 1.5/11-5.08	11	5.08	55.88	10	4.24	4.10	3.49
651-1729225	A	MKDSN 1.5/12-5.08	12	5.08	60.96	10	4.69	4.39	3.74
5.08mm PCB Reduced Height Terminal Blocks - 145° Wire-to-Pin Orientation									
UL: 300V @ 10A, 30-14AWG, Green Color									
651-1869211	B	SMKDSN 1.5/2-5.08	2	5.08	11.16	11	.96	.881	.746
651-1869224	B	SMKDSN 1.5/3-5.08	3	5.08	16.24	11	1.42	1.32	1.11
651-1869237	B	SMKDSN 1.5/4-5.08	4	5.08	21.32	11	1.88	1.74	1.47
651-1869240	B	SMKDSN 1.5/5-5.08	5	5.08	26.4	11	2.36	2.18	1.85
651-1869253	B	SMKDSN 1.5/6-5.08	6	5.08	31.48	11	2.83	2.63	2.23
651-1869266	B	SMKDSN 1.5/7-5.08	7	5.08	36.56	11	3.29	3.04	2.59
651-1869279	B	SMKDSN 1.5/8-5.08	8	5.08	41.64	11	3.77	3.48	2.97
651-1869282	B	SMKDSN 1.5/9-5.08	9	5.08	46.72	11	4.23	3.90	3.33
651-1869295	B	SMKDSN 1.5/10-5.08	10	5.08	51.8	11	4.72	4.36	3.71
5.08mm PCB Terminal Blocks - 90° Wire-to-Pin Orientation									
UL: 300V @ 10A, 30-14AWG, Green Color									
651-1715721	A	MKDS 1.5/2-5.08	2	5.08	10.16	13.8	.94	.881	.748
651-1715734	A	MKDS 1.5/3-5.08	3	5.08	15.24	13.8	1.42	1.34	1.13
651-1715747	A	MKDS 1.5/4-5.08	4	5.08	20.32	13.8	1.89	1.73	1.49
651-1715789	A	MKDS 1.5/8-5.08	8	5.08	40.64	13.8	3.74	3.50	2.98
651-1715802	A	MKDS 1.5/10-5.08	10	5.08	50.8	13.8	4.67	4.36	3.71
651-1715828	A	MKDS 1.5/12-5.08	12	5.08	60.96	13.8	5.60	5.23	4.46
5.08mm PCB Reduced Height Terminal Blocks - 90° Wire-to-Pin Orientation									
UL: 300V @ 10A, 30-12AWG, Green Color									
651-1888687	A	MKDSN 2.5/2-5.08	2	5.08	10.16	15	.85	.78	.665
651-1888690	A	MKDSN 2.5/3-5.08	3	5.08	15.24	15	1.29	1.19	1.01
651-1888700	A	MKDSN 2.5/4-5.08	4	5.08	20.32	15	1.71	1.58	1.34
5.08mm PCB Terminal Blocks - 90° Wire-to-Pin Orientation									
UL: 300V @ 10A, 30-12AWG, Green Color									
651-1711725	A	MKDS 3/2-5.08	2	5.08	10.16	18	1.34	1.20	1.11
651-1711738	A	MKDS 3/3-5.08	3	5.08	15.24	18	2.23	2.08	1.77
5.08mm PCB Terminal Blocks - 35° Wire-to-Pin Orientation									
UL: 300V @ 10A, 30-14AWG, Green Color									
651-1713723	C	SMKDS 3/2-5.08	2	5.08	10.16	18	1.76	1.63	1.38
651-1713736	C	SMKDS 3/3-5.08	3	5.08	15.24	18	2.63	2.44	2.07
5.08mm PCB Terminal Blocks - 40° Wire-to-Pin Orientation									
UL: 300V @ 10A, 30-14AWG, Green Color									
651-1705469	D	SMKDS 2.5/2-5.08	2	5.08	10.16	19.4	1.61	1.48	1.26
651-1705472	D	SMKDS 2.5/3-5.08	3	5.08	15.24	19.4	2.44	2.26	1.92
5.08mm PCB Terminal Blocks - 35° Wire-to-Pin Orientation with Test Connection									
UL: 300V @ 10A, 30-14AWG, Green Color									
651-1733570	E	SMKDS 1.5/2-5.08	2	5.08	10.16	15.3	1.02	.931	.797
651-1733583	E	SMKDS 1.5/3-5.08	3	5.08	15.24	15.3	1.34	1.20	1.11
651-1733596	E	SMKDS 1.5/4-5.08	4	5.08	20.32	15.3	2.01	1.86	1.58
651-1733606	E	SMKDS 1.5/5-5.08	5	5.08	25.4	15.3	2.51	2.32	1.97
651-1733619	E	SMKDS 1.5/6-5.08	6	5.08	30.48	15.3	3.03	2.80	2.39
651-1733622	E	SMKDS 1.5/7-5.08	7	5.08	35.56	15.3	3.52	3.25	2.77
651-1733635	E	SMKDS 1.5/8-5.08	8	5.08	40.64	15.3	4.04	3.73	3.19
651-1733651	E	SMKDS 1.5/10-5.08	10	5.08	50.8	15.3	5.01	4.63	3.94
5.08mm PCB Terminal Blocks - 90° Wire-to-Pin Orientation, Knife Disconnect									
UL: 300V @ 15A, 28-12AWG, Green Color									
651-1780015	F	KDS 3-MT	1	5.08	5.08	24.8	4.43	4.09	3.48

Single Level, Through-Hole Solder Mounting (Cont.)

For quantities greater than listed, call for quote.

MOUSER STOCK NO.	Fig.	Phoenix Type	Pos.	Dimensions: mm			Price Each		
				A	B	C	1	10	50
6.35mm PCB Reduced Height Terminal Blocks - 90° Wire-to-Pin Orientation									
UL: 150V @ 15A and 300V @ 10A, 30-12AWG, Green Color									
651-1714955	G	MKDS 5/2-6.35	2	6.35	12.69	21.5	1.39	1.28	1.13
651-1714968	G	MKDS 5/3-6.35	3	6.35	19.04	21.5	1.75	1.56	1.48
6.35mm PCB Terminal Blocks - 35° Wire-to-Pin Orientation									
UL: 300V @ 30A, 30-10AWG, Green Color									
651-1720033	H	SMKDS 5/2-6.35	2	6.35	12.69	21.5	1.43	1.31	1.12
651-1720046	H	SMKDS 5/3-6.35	3	6.35	19.05	21.5	2.13	1.97	1.68
6.35mm PCB Single Terminal Blocks - Front Connection									
UL: 300V @ 30A, 22-10AWG, Green Color									
651-1703050	I	FRONT 4-H-6.35	1	6.35	26	---	3.47	3.20	2.73
651-1703063	J	FRONT 4-V-6.35	1	6.35	26	---	3.43	3.17	2.70
651-1703076	-	D-FRONT 4-6.35	-	-	-	-	.44	.39	.378
7.5mm PCB Terminal Blocks - 90° Wire-to-Pin Orientation									
UL: 300V @ 10A, 30-14AWG, Green Color									
651-1717020	A	GMKDS 1.5/2	2	7.5	15	13.8	2.02	1.87	1.59
651-1717033	A	GMKDS 1.5/3	3	7.5	22.5	13.8	3.03	2.80	2.39
7.5mm PCB Terminal Blocks - 35° Wire-to-Pin Orientation									
UL: 300V @ 10A, 30-14AWG, Green Color									
651-1718029	K	GSMKDSP 1.5/2	2	7.5	15	15.3	2.15	1.99	1.69
651-1718032	K	GSMKDSP 1.5/3	3	7.5	22.5	15.3	3.20	2.96	2.52
7.5mm PCB Single Terminal Blocks - 90° Wire-to-Pin Orientation, Feed-Through									
UL: 300V @ 30A, 30-10AWG, Green Color									
651-1780507	L	KDS 4	1	7.5	18	---	3.17	2.93	2.50
7.62mm PCB Terminal Blocks - 90° Wire-to-Pin Orientation									
UL: 300V @ 10A, 30-14AWG, Green Color									
651-1717729	A	GMKDS 1.5/2-7.62	2	7.62	15.24	13.8	2.01	1.86	1.58
651-1717732	A	GMKDS 1.5/3-7.62	3	7.62	22.86	13.8	3.03	2.80	2.39
7.62mm PCB Terminal Blocks - 35° Wire-to-Pin Orientation									
UL: 300V @ 10A, 30-14AWG, Green Color									
651-1718728	K	GSMKDSP 1.5/2-7.62	2	7.62	15.24	15.3	1.34	1.24	1.05
651-1718731	K	GSMKDSP 1.5/3-7.62	3	7.62	22.86	15.3	2.01	1.86	1.58
7.62mm PCB Single Terminal Blocks - Front Connection									
UL: 300V @ 30A, 24-10AWG, Green Color									
651-1703034	M	FRONT 4-H-7.62	1	7.62	28.4	---	3.54	3.27	2.78
651-1703021	N	FRONT 4-V-7.62	1	7.62	26	---	3.51	3.25	2.77
9.52mm PCB Terminal Blocks - 90° Wire-to-Pin Orientation									
UL: 300V @ 30A and 600V @ 5A, 30-12AWG, Green Color									
651-1714971	O	MKDS 5/2-9.52	2	9.52	19.04	21.5	1.40	1.30	1.13
651-1714984	O	MKDS 5/3-9.52	3	9.52	28.56	21.5	2.05	1.95	1.68
9.52mm PCB Terminal Blocks - 90° Wire-to-Pin Orientation with Offset Pins									
UL: 600V @ 30A, 30-10AWG, Green Color									
651-1907432	O	MKDS 5 HV/2-9.52-Z	2	9.52	19.04	21.5	1.33	1.19	1.11
651-1907429	O	MKDS 5 HV/3-9.52-Z	3	9.52	28.56	21.5	2.28	2.05	1.92
10.16mm PCB Terminal Blocks - 90° Wire-to-Pin Orientation									
UL: 300V @ 57A, 20-6AWG, Green Color									
651-1773976	P	MKDSP 10N/2-10.16	2	10.16	20.32	29.30	7.08	6.43	5.93
651-1929517	Q	MKDSP 10HV/2-10.16	2	10.16	20.32	30.80	8.99	8.30	7.07
651-1929520	Q	MKDSP 10HV/3-10.16	3	10.16	30.48	30.80	11.90	10.81	9.97
15.00mm PCB Terminal Blocks - 90° Wire-to-Pin Orientation									
UL: 600V @ 125A, 20-2AWG, Green Color									
651-1932588	R	MKDSP 25/2-15.00	2	15.00	30.00	39.00	9.29	8.60	7.34
651-1932591	R	MKDSP 25/3-15.00	3	15.00	45.00	39.00	13.89	12.64	11.00
651-1932601	R	MKDSP 25/4-15.00	4	15.00	60.00	39.00	15.18	14.39	13.29
651-1932614	R	MKDSP 25/5-15.00	5	15.00	75.00	39.00	22.81	20.51	18.32
651-1932627	R	MKDSP 25/6-15.00	6	15.00	90.00	39.00	27.38	25.55	21.99