

HSF



Note:

1. Material:

- a. Housing: PA V0 GF30. 15
- b. Contact: C5191
- c. Surface Plating: Sn 10u"

2. Electric:

- a. Contact Resistance: 30 Milliohms Max.
- b. Insulation Resistance: 1000 Mega Ohms Min.
- c. Dielectric Voltage: 500 V AC One Sec Level
- d. Operating Temperature: -55° To +105°

Order code:

BT — S — SN — A — CR2032E
 ① ② ③ ④ ⑤

① BT: Coin Cell Holders ③ Contact Plating

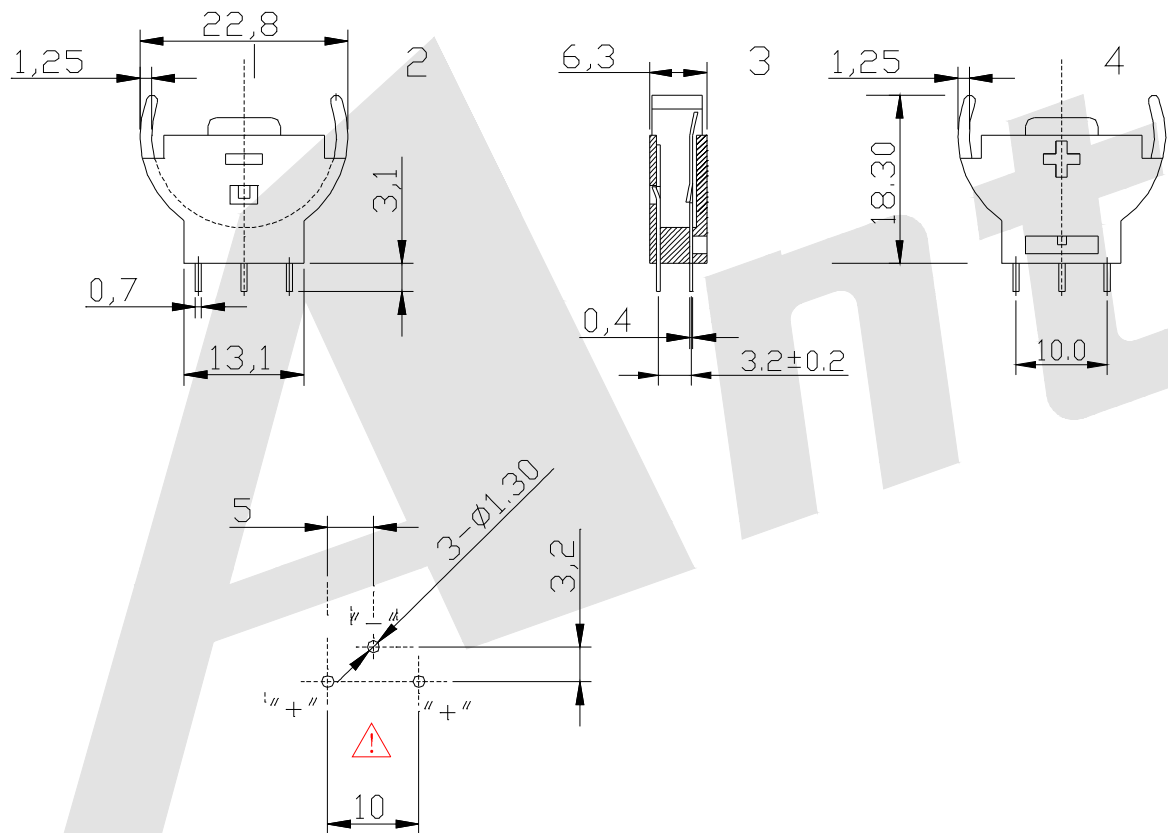
② Apperance for the product

M: SMT TYPE
 S: 180 TYPE
 R: 90 TYPE

SN: Tin
 G0: Gold flash
 G1: 3U" Gold
 G2: 5U" Gold
 G3: 10U" Gold
 G4: 15U" Gold
 G5: 30U" Gold

④ Packing method
 A: Tray packing
 R: Tape & reel packing

⑤ Product number
 CR2032E



Unless otherwise specified tolerance
 X. ±0.35 X.XX: ±0.20
 X.X: ±0.25 X.XXX: ±0.15

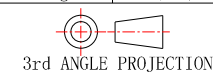
Antenk® ANTENK ELECTRONICS CO., LTD
 Http://www.antenk.com
 E-mail: sales@antenk.com

SCALE: As Shown UNIT: mm
 DRAW Mo Guo Xuan DATE 03/14/2019
 CHECK BobYang DATE 03/14/2019

TITLE: Coin Cell Holders For CR2032

DRAWING NO: BT-S-SN-A-CR2032E

PRODUCT NO: BT-S-SN-A-CR2032E



⚠ Update "+ -" Electrode

Change BT-S-SN-CR2032E to BT-S-SN-A-CR2032E

07/24/2021

REV DESCRIPTION

DATE